



# RADIO REMOTE CONTROL

THR-TVR2



## Radio Remote Water Level Controller Mod. THR

Level controller compound by a transmitter, with battery or 220 Vac power supplied, and a receiver with 12 Vdc or 220 Vac power supply, with output for relay. The transmitter can be connected to float and transmit to receiver the clogging or draining signal and turn on the relay. This unit can be also used with pressure switches or others sensors with output contact.

### Features

#### TRANSMITTER

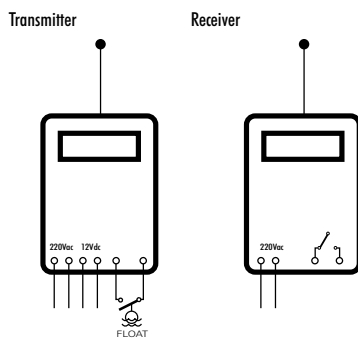
- Antenna power : 400 mW.
- Shafting frequency: 433,92 MHz.
- Shafting distance: > 300 mts.
- Signal input: free voltage contact.
- Built-in antenna.

#### RECEIVER

- Sintonym frequency: 433,94 MHz.
- Power supply: 220 Vac, 2 W or 12 Vdc, 20 mA.
- Output signal: commutated contact 6 Amp.
- Built-in antenna..



### Connection



## Radio Remote Control Mod. TVR2

Equipment compound by a transmitter and receiver, with 220 Vac or 12 Vdc power supply. The transmitter can be operated by 2 free voltage contacts, wich turns on 2 relays in the receiver.

### Features

#### TRANSMITTER

- Antenna power : 400 mW.
- Shafting frequency: 433,92 MHz.
- Shafting distance: > 300 mts.
- Signal input: 2 free voltage contacts.
- Built-in antenna.

#### RECEIVER

- Sintonym frequency: 433,94 MHz.
- Power supply: 220 Vac, 2 W or 12 Vdc, 20 mA.
- Output signal: commutated contact 6 Amp.
- Built-in antenna..



### Connection

